

Silence Point WorkBench Top

Like its close relative, the Silence Point WorkBench, the WorkBench Top with roof is an eye-catcher for any room. All the more so because the beautifully curved roof with integrated LED usually towers far above other furnishings. The straight-lined classic design language is the result of the reduction to the decisive functions. Thus, for one person, the WorkBench Top becomes a workroom for creative meetings in a small team, for another a place of retreat for concentrated work and for quiet conversations. The vaulted roof over the entire WorkBench ensures that concentrated work or lively discussions are also possible in open-plan rooms with a high ceiling height. With a footprint of approx. 2200 mm x 1600 mm, they are extremely space-saving despite the best acoustic values in terms of sound absorption and sound shielding. There is a choice of 9 fabric collections with an almost unlimited selection of structures and colours for the wall construction. The lovingly fully upholstered walls are offered on one side or optionally also on both sides in a quilted version. Quilting options on request. For this purpose, 8 fabric collections with different character and colours are available. An LED light integrated as standard or an optional electrification module (PowerDot) integrated in the work table make the system independent of the office infrastructure.

With a round LED Ø 187 mm positioned in the center, frame white
 Connected load 20 watts (W)
 Luminous flux 2200 lumens (lm)
 Colour temperature selectable via switch 3000 / 4000 / 5500 Kelvin (K)

Supplied disassembled into individual ceiling and wall elements for assembly on site.

Data Silence Point WorkBench Top

Wall thickness 40 mm

Substructure - dimensionally stable aluminum frame profile



*SP WorkBench Top H2200
Without quilting*

Wall construction highly sound-absorbing according to DIN EN ISO 354

Filler Standard 100 by OEKO-TEX®

Walls fully upholstered with a smooth fabric surface

Feet in stainless steel, optionally powder-coated

Seat and back upholstery always without quilting, removable cover

Stainless steel feet, optionally powder-coated

LED recessed light with motion detector

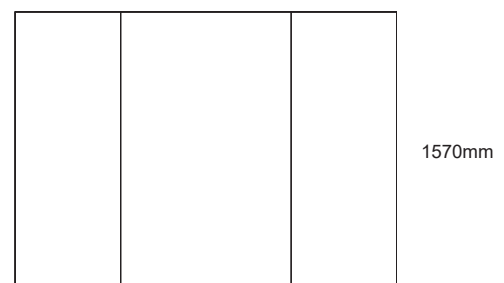
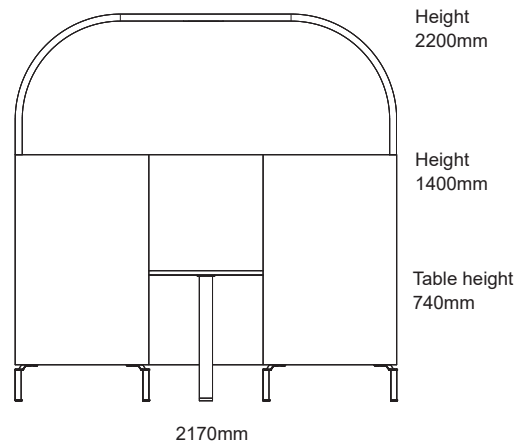
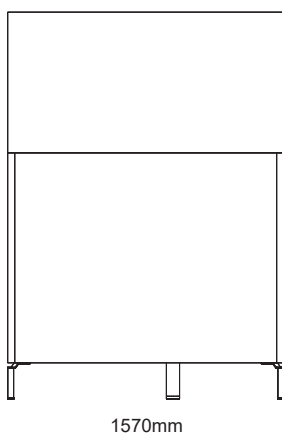
Meeting table according to AOS decor card, optionally in Fenix black

Conference table optionally equipped with PowerDot (220 Volt and USB Charger) black or white

Optional standard quilting option 114 partial. Further quilting options on request. 8 fabric collections available

Optional quilting only on the outside or outside and inside

Model overview - drawings



Finish



Without quilting

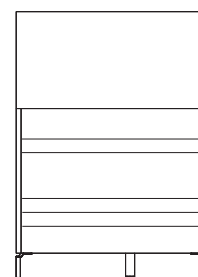


One-sided outside
quilted



Quilted on both
sides

Quilting options



Quilting
114 partial

Further quilting
options on
request.

Wall construction 40 mm

Sound absorption coefficient α_p per DIN EN ISO 354

125 Hz	α_p 0,21
250 Hz	α_p 0,37
500 Hz	α_p 0,60
1000 Hz	α_p 0,69
2000 Hz	α_p 0,75
4000 Hz	α_p 0,88

Rated sound absorption coefficient α_w 0,65 (H).
DIN EN ISO 354 test certificate

Standard weight in kg

Height	2200
Weight	250
1570	