

Video Telephone Booth

3 Video | Telephone Counselling

Customised Acoustic Solutions

Product



Video Telephone Booth Open

Counselling islands in an open office landscape

In addition to excellent technical equipment and good workplace lighting, it is above all the room acoustics that help us to successfully conduct a demanding video or telephone consultation. After all, the conversations place high demands on the room acoustics, especially on speech intelligibility. With the **Video Telephone Booths** in the "Open" model series, consisting of three different model variants in three sizes each, consultation islands can be integrated efficiently and cost-effectively into almost any office environment. Variant 1 is closed on four sides in its modular design, with the exception of the 900 mm wide access area. Variant 2 has partial glazing on two sides, from a height of 1400 mm, and Variant 3 allows more views in and out with a reduced wall height on one side. What all three variants have in common is the modular construction and the highly sound-absorbing acoustic walls with a total height of 1800 mm. The absorbers used have their



strengths in the frequency range of human speech and thus produce the best acoustic results while at the same time preventing direct sound transmission. A continuous wall fabric division at a height of 1000 mm guarantees the use of 17 different fabric collections and offers the possibility of different colour assignments. The corner and cover profiles made of anodised aluminium (EV1) are optionally available in powder-coated RAL.

V1



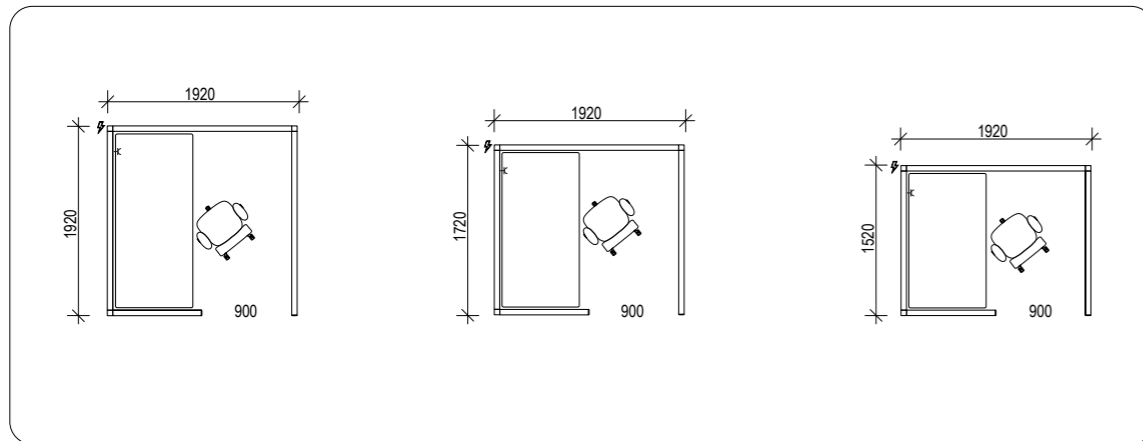
V2



V3

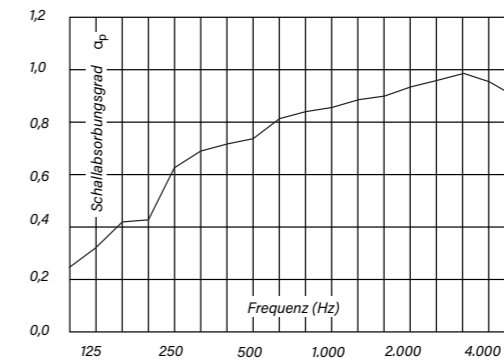


The "Open" model series is offered in three model variants with closed walls (V1), partial glazing (V2) or wall height reduced on one side (V3). The rear wall can be provided with a digital print.



There is a choice of three standard sizes for the standard table widths 1800, 1600 and 1400 mm

Video Telephone Booth



Sound absorption coefficient -
Octave centre frequency (55 mm)

The 7-layer absorber walls used have their strengths in the frequency range of human speech.



With the video telephone booths in the "Open" model series, consultation islands can be integrated efficiently and cost-effectively into almost any office environment.

[Video Telephone Booth Open >>](#)

Video Telephone Booth Slat

Eye-catcher with good acoustic conditions

In addition to excellent technical equipment and good workplace lighting, it is above all the room acoustics that help us to successfully conduct a demanding video or telephone consultation. This is because the conversations place high demands on the room acoustics, especially on speech intelligibility. With the **video telephone booths** in the "**Slat**" model series, consisting of two different model variants in three sizes each, consultation islands become attractive eye-catchers and sought-after workplaces in open office zones. Both variants are equipped with an acoustically open slat wall in decor (according to the AOS collection) over a width of 910 mm on the access side. While variant 1 has completely closed walls on three sides, variant 2 has partial glazing on one side from a height of 1400 mm. What the two variants have in common is the modular construction and the highly sound-absorbing acoustic walls with a total height of 1800 mm. The absorbers used



The absorbers used have their strengths in the frequency range of human speech and thus produce the best acoustic results while at the same time preventing direct sound transmission. A continuous wall fabric division at a height of 1000 mm guarantees the use of 17 different fabric collections and offers the possibility of different colour assignments. The corner and cover profiles made of anodised aluminium (EV1) are optionally available in powder-coated RAL.

V1



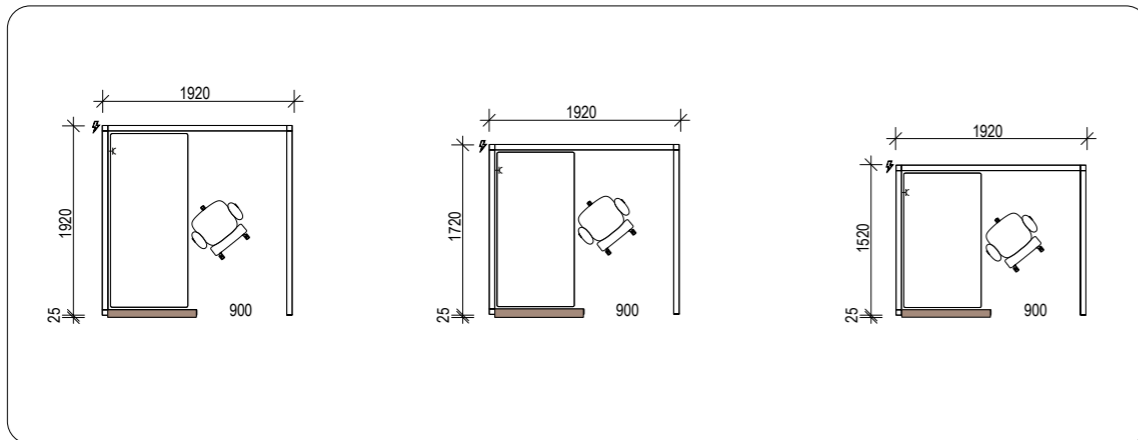
V2



The "Slat" model series is offered in two model variants with closed walls (V1) or partial glazing (V2).

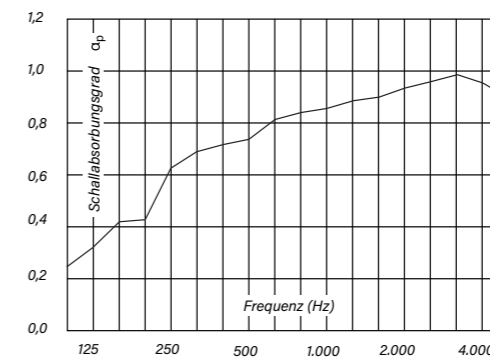


It is possible to print the back wall digitally.



There is a choice of three model sizes for the standard table widths 1800, 1600 and 1400 mm.

Video Telephone Booth



Sound absorption coefficient - Octave centre frequency (55 mm)

*Extensive
Orga and presentation
accessories available.*



*The room acoustic qualities of the
telephone and video booths help
to make sophisticated counselling
via video or telephone a success.*



*Integrated power and
data supply (standard).*

[Video Telephone Booth Slat >>](#)

Video Telephone Booth Top LED

Good acoustics and workplace lighting

In addition to excellent technical equipment and good workplace lighting, it is above all the room acoustics that help us to successfully conduct a demanding video or telephone consultation. After all, the conversations place high demands on the room acoustics, especially on speech intelligibility. The **video telephone booths** in the **"TopLED"** model series, consisting of three different model variants in three sizes each, meet the highest demands on the working environment. In addition to the very good acoustic conditions, they also have excellent finely tuned lighting. The models of the **"TopLED"** series, with a total height of 2200 mm, can thus be used independently of the spatial environment and infrastructure. Variant 1 is closed on four sides in its modular design, with the exception of the 900 mm wide access area. Variant 2 has partial glazing on one side from a height of 1000 mm and Variant 3 has partial glazing on two sides from a height of 1800 mm. What all three variants have in common is the modular construction, the ceiling incl. LED closed above the work area and the highly sound-absorbing acoustic



walls. The absorbers used have their strengths in the frequency range of human speech and thus produce the best acoustic results while at the same time preventing direct sound transmission. A continuous wall fabric division at a height of 1000 mm guarantees the use of 17 different fabric collections and offers the possibility of different colour assignments. The corner and cover profiles made of anodised aluminium (EV1) are optionally available in powder-coated RAL.

V1



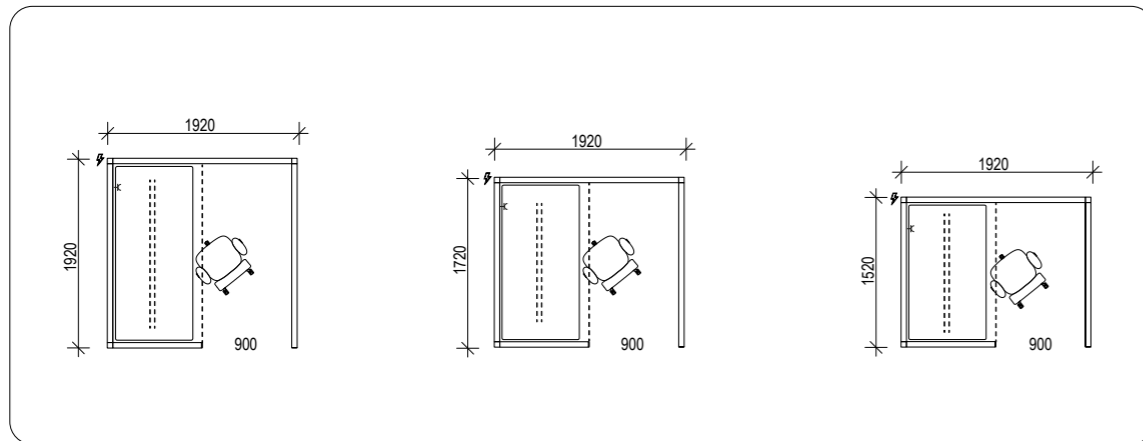
V2



V3

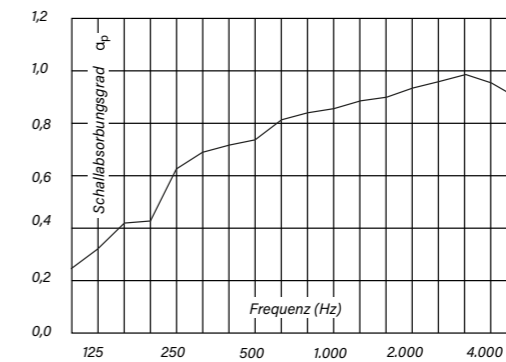


The "TopLED" model series is available in three model variants with closed walls (V1) or partial glazing (V2 + V3). The rear wall can be provided with a digital print.



There is a choice of three model sizes for the standard table widths 1800, 1600 and 1400 mm.

Video Telephone Booth



Sound absorption coefficient -
Octave centre frequency (55 mm)



The AOS video-telephone booth series TopLED offers innovative technology and optimised lighting at the workplace.



Assemble, disassemble and reconfigure in just a few simple steps. The invisible mechanical connection enables an elegant product design.

With a height-adjustable workstation, telephone and video booths can be used flexibly in everyday office life.

[Video Telephone Booth TopLED >>](#)

Impressum

published by
Akustik Office Systeme GmbH
Lenabergweg 5
D-91626 Schopfloch

Editor
Henrik Behnert, AOS

Graphics / Illustration
Sabine Fleischmann, AOS

Photos
Damian Tauchert, Berlin
for AOS

@2024



Akustik Office Systeme GmbH
Lenabergweg 5
D91626 Schopfloch

Phone+49 9857 97559-0

Fax +49 9857 97559-29

info@akustik-office-systeme.de

www.akustik-office-systeme.de