

VideoBooth

3 Video | Telephone Counselling

Customised Acoustic Solutions

Products



VideoBooth

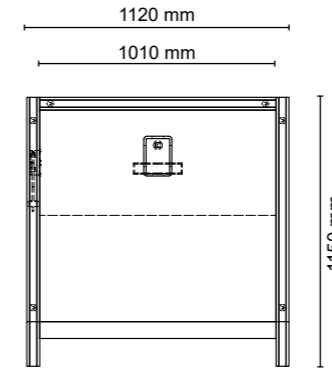
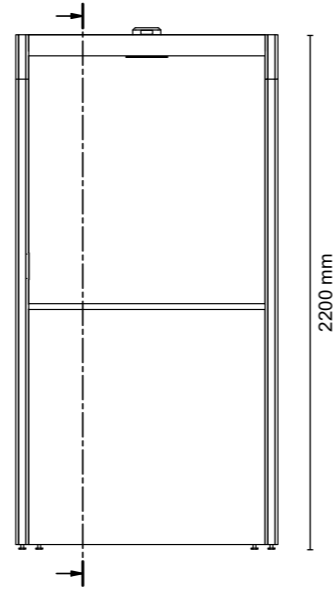
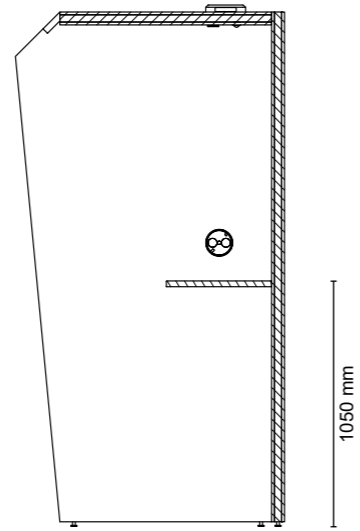
Open Room-in-room concept

Modern design - timelessly elegant meets clear room structures and excellent technical equipment. Spontaneous video conferencing, e.g. via Microsoft Teams, has become an integral part of everyday office life. Hybrid forms of work are unthinkable without this tool and would be doomed to failure. The prerequisite for efficient and undisturbed use of this technology are products and concepts that are optimally equipped in terms of acoustics and lighting. Open on one side and acoustically shielded on three sides, **VideoBooth** models are very efficient and can be easily and flexibly integrated into existing spaces as well as new concepts. In hectic everyday office life, the quality of the acoustic conditions is also a measure of the performance of the employees. An unobtrusive design language, 55 mm thick wall construction and a sound absorption performance that muffles even loud conversations are clear advantages of the **VideoBooth** series. The product is offered in two versions: Variant **M** height (body)

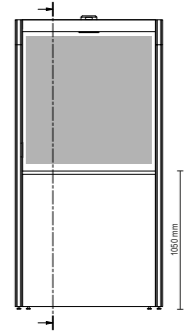


2200 / width 1120 / depth 1150 mm and Variant **L** height (body) 2200 / width 1320 / depth 1390 mm. The variant M with a standing worktable (height 1050 mm), the variant L without or optionally with work table (height 740 mm or 1050 mm) An electrification socket with USB charger, as well as a magnetic, fabric-covered organisation wall provide the necessary infrastructure. The **VideoBooth** series is available in 17 different fabric collections - divided into 5 price groups and an almost unlimited number of colours and textures. A comprehensive range of organisational accessories in natural oak or steel powder-coated RAL 9005 round off the VideoBooth model family.

VideoBooth M

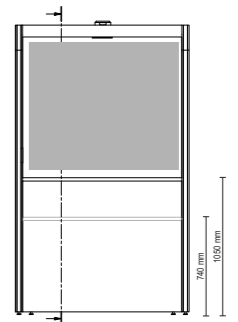
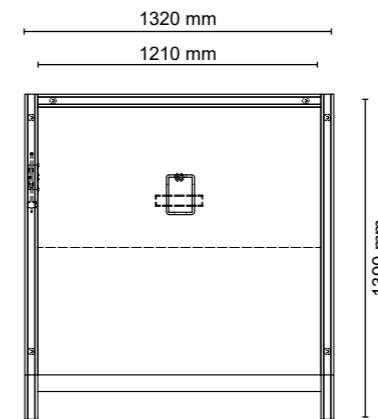
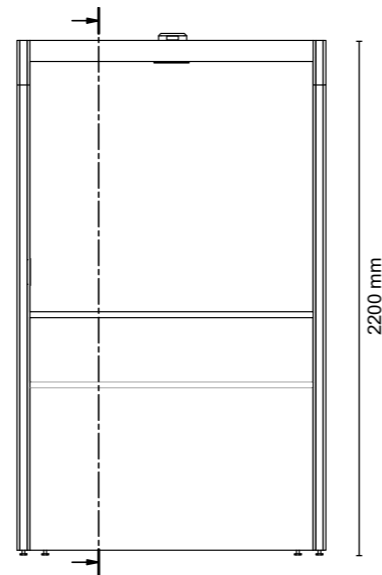
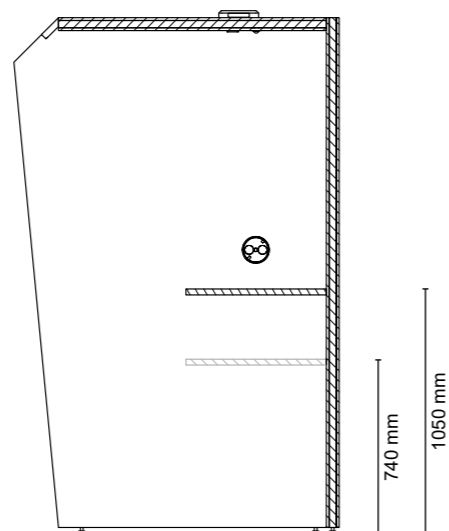


Equipped with magnetic surface



Magnetic back on the inside from a height of 1050 mm

VideoBooth L

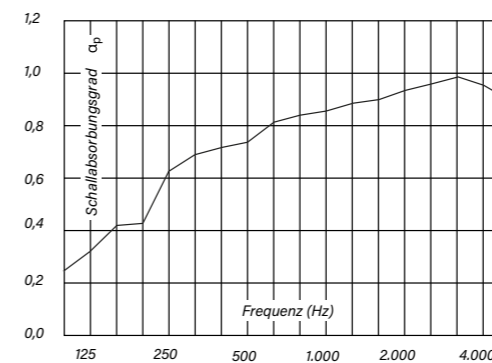


Magnetic back on the inside from a height of 1050 mm



The VideoBooth models are offered in two sizes, their sound absorption performance is very powerful. The integrated workplace lighting ensures an optimal lighting situation.

VideoBooth



Sound absorption coefficient -
Octave centre frequency (55 mm)



The AOS Video Booth models offer innovative lighting technology at the workplace.



The VideoBooth models offer the necessary flexibility, to work both sitting and standing.

[VideoBooth >>](#)

Impressum

published by
Akustik Office Systeme GmbH
Lenabergweg 5
D-91626 Schopfloch

Editor
Henrik Behnert, AOS

Graphics / Illustration
Sabine Fleischmann, AOS

Photos
Damian Tauchert, Berlin
for AOS

@2024



Akustik Office Systeme GmbH
Lenabergweg 5
D91626 Schopfloch

Phone+49 9857 97559-0

Fax +49 9857 97559-29

info@akustik-office-systeme.de

www.akustik-office-systeme.de